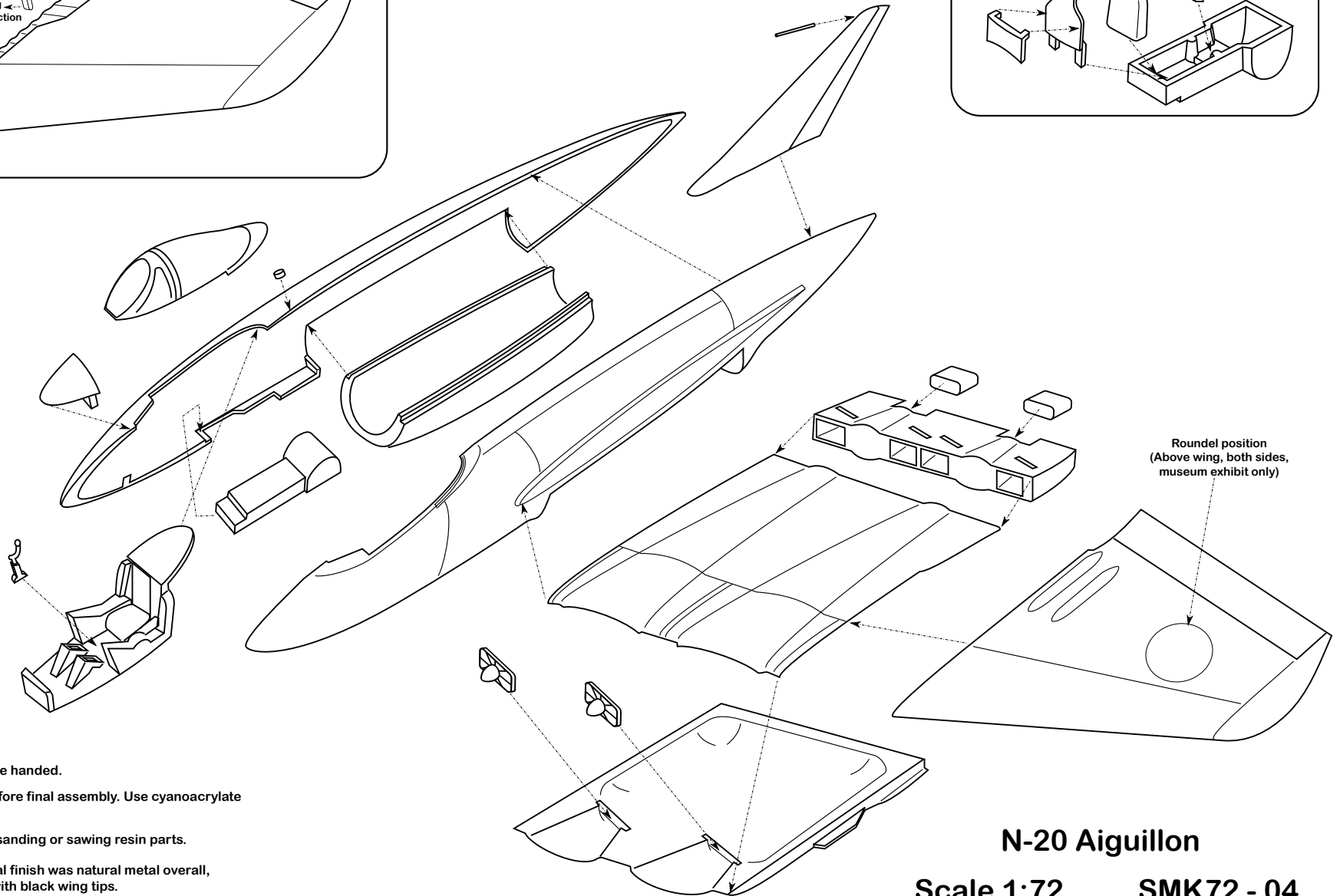
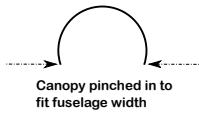
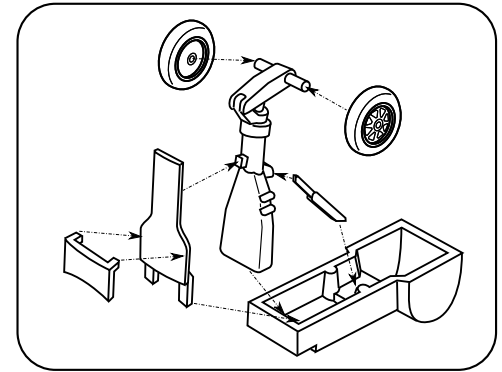


S&M Models

A Magda Ltd Product
Suite 2, Global House, Poyle Road, Colnbrook
Berkshire SL3 0AY United Kingdom



Note 1. Take care as several parts are handed.

Note 2. Clean and test fit all parts before final assembly. Use cyanoacrylate glue ("Super Glue") for resin parts.

Note 3. Wear a suitable mask when sanding or sawing resin parts.

Note 4. Photographs indicate original finish was natural metal overall, museum exhibit painted aluminium with black wing tips.

N-20 Aiguillon

Scale 1:72

SMK72 - 04